

Scafell



Equipment sheet
Fireplace stove

GB

Contents

1. Technical data	1
1.1. Suitable fuel, stoking amount of fuel	1
2. Technical description	3
3. Dimensioned diagram	4
4. List of spare parts	5
4.1. Overall scheme of the model	5
4.2. Detail A1	6
4.3. Detail A2.....	7
5. Adjustment of the controller	8
6. Change of the smoke neck	9
7. Installation of alignment screws	10
8. Installation of cover ring	11
9. Instalation of air input modul	12
10. Included in the scope of delivery	13

1. Technical data

	Wood 	Coal briquettes 
Achievable heat output	8,3 kW	8 kW
Nominal heat output	8 kW	8 kW
Energy efficiency	75,2 %	71,2 %
Average concentration of CO at 13% O ₂	745,7 mg/Nm ³	1908 mg/Nm ³
Average concentration of dust at 13% O ₂	37,3 mg/Nm ³	44 mg/Nm ³
Average concentration of NO _x at 13% O ₂	144,7 mg/Nm ³	203 mg/Nm ³
Average concentration of OGC at 13% O ₂	57 mg/Nm ³	169 mg/Nm ³
Three values of combustion products (three specific output parameters of chimneys)	—	—
Amount of combustion products at nominal output	7,4 g/s	9 g/s
Temperature of combustion products in the smoke flue neck	336 °C	354 °C
Minimum draft of the chimney at nominal heat output	12,7 Pa	11,7 Pa

Safety distances

Minimal distances from flammable materials:	side:	40 cm
	rear:	40 cm
	front (radiation area):	80 cm

1.1. Suitable fuel, stoking amount of fuel

Fuel:	Max. stoking amount of fuel
Wood:	1 log (max. 1,5 kg)
Length of wood logs:	33 cm (max. 50 cm)
Coal briquette:	1 - 2 coal briquettes (max. 1 kg)

Note

When heating with wood stock, employ solely the types of wood which have been stored for two years and their residual humidity is at most 17 %.

Mi-Stoves recommends the use of HETAS approved smokeless fuels which have been deemed suitable for use on closed appliances including multi-fuel stoves, these are:

Anthracite

ANCIT™

COALITE FLAME™

HOMEFIRE™

HOMEFIRE ECOCOAL™

HOMEFIRE COAL™

MAXIBRITE™

SUPERTHERM™

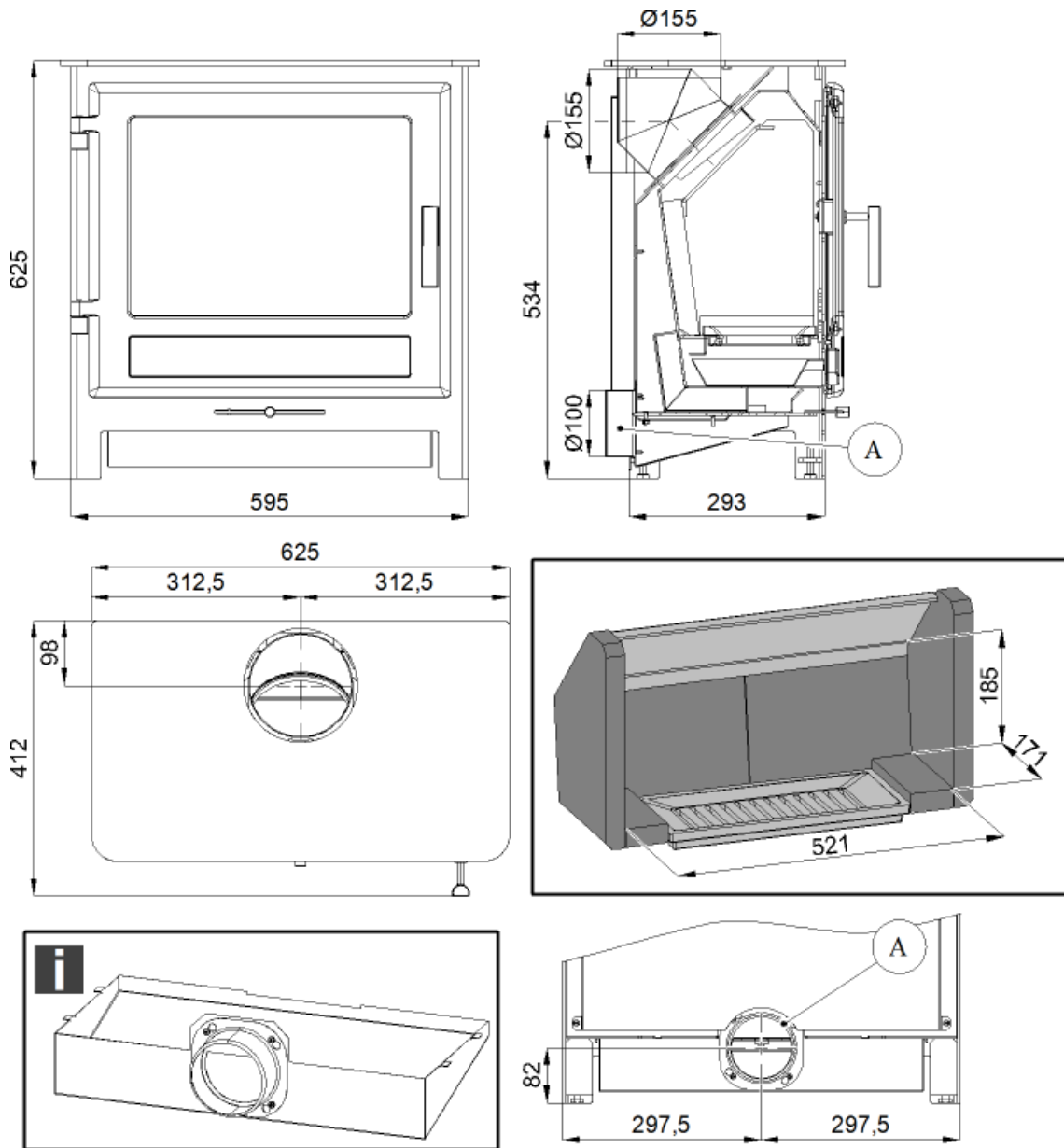
PUREHEAT™

SUNBRITE™

TAYBRITE™

Pure petroleum coke or bituminous house coal must not be burned in this appliance. The use of these fuels will invalidate the guarantee. When heating with wood stock, employ solely the types of wood which have been stored for 2 years and their residual humidity is at most 17%.

2. Technical description

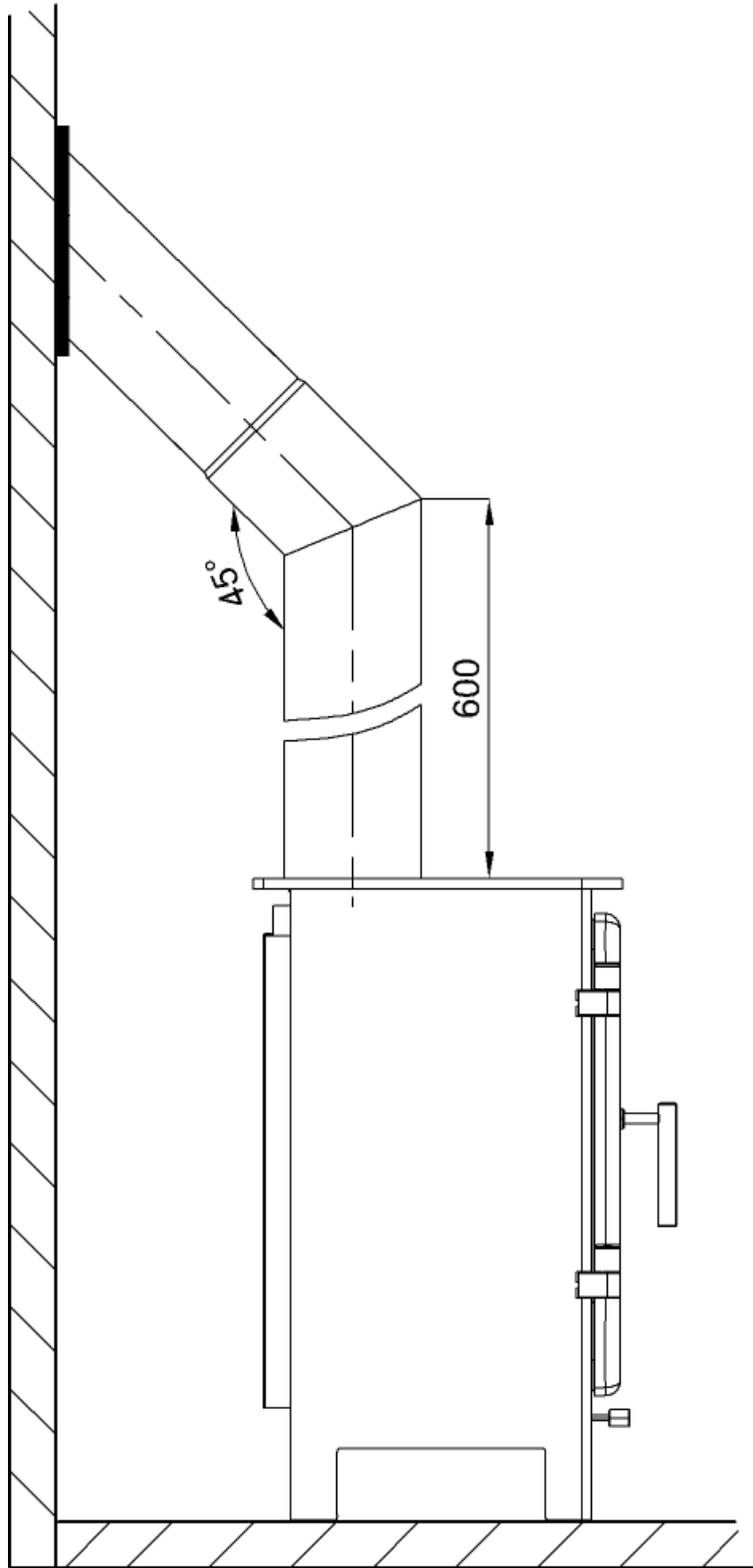


Note

Not included in the scope of the delivery (Chapter 9)

3. Dimensioned diagram

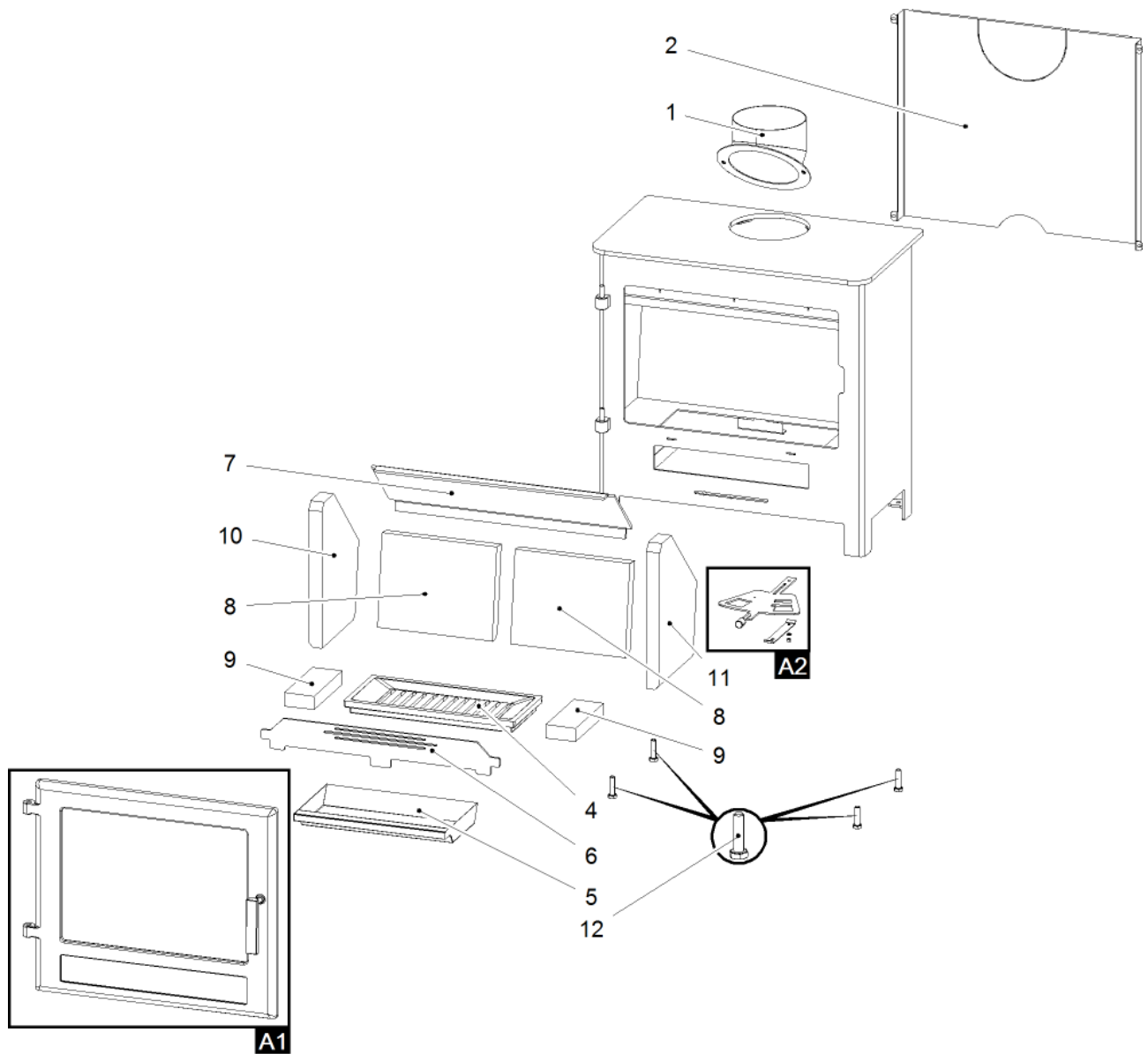
Dimensioned diagram



GB

4. List of spare parts

4.1. Overall scheme of the model



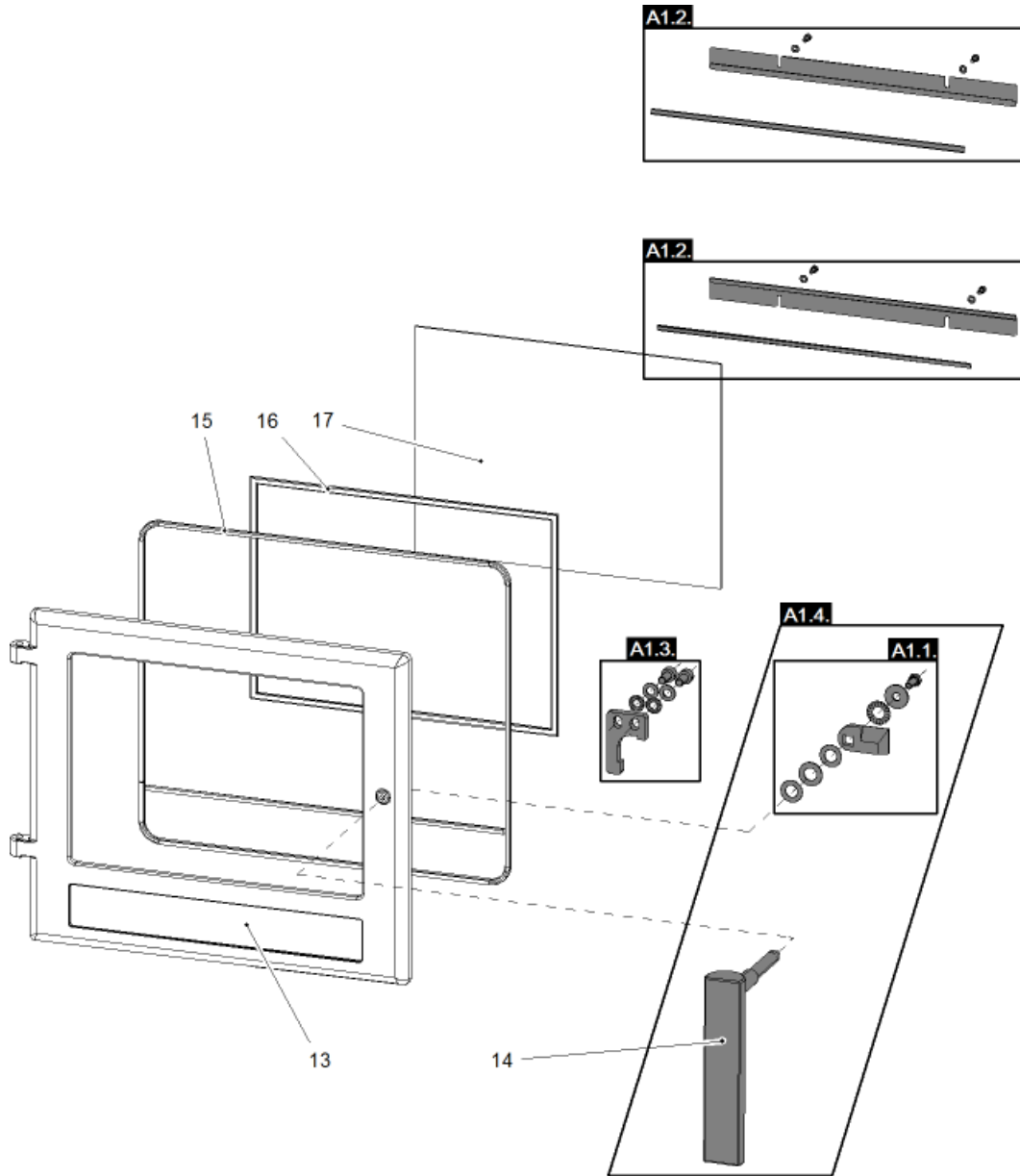
List of spare parts

Item	Name	Quantity	Number of goods
Overall scheme of the model			
A1	Fire-box door (complete)/black	1 piece	0434818005300
A2	Sliding valve (complete)/black	1 piece	0434818005002
1	Smoke flue neck/black	1 piece	0434818005400
2	Rear cover	1 piece	0434818005050
3	Upper blind flange/black (page 8)	1 piece	0434818005060
4	Grate/black	1 piece	0434815005040
5	Ashpan	1 piece	0434815005045
6	Protection/black	1 piece	0434818005035
7	Screen loose (5x545x190,8)	1 piece	0434818005030
8	Brick 204x258x30	2 piece	0434818005503

GB

9	Brick 170x66x30	1 piece	0434818005504
10	Brick 322x220x30	1 piece	0434815005501
11	Brick 322x220x30	1 piece	0434815005502
12	Bolt M10x40	1 piece	0030001000405

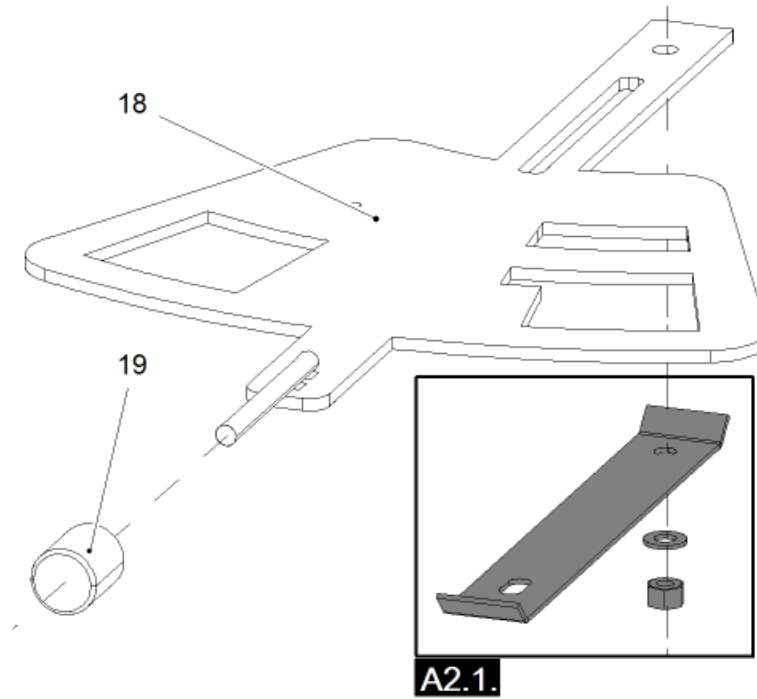
4.2. Detail A1



Item	Name	Quantity	Number of goods
Detail A1			
A1.1.	Handle connecting material — set	1 piece	0434818005011
A1.2.	Glass holder — set/black	1 piece	0434818005012
A1.3.	Stopper — set/black	1 piece	0434818005013
A1.4.	Fire-box door lever lock + handle connecting material — set	1 piece	0434817007310
13	Fire-box door (welded part)/black	1 piece	0434818005200
14	Fire-box door lever lock	1 piece	0434817005310
15	Door sealing cord - 11 mm	2290 mm	0040300110005

16	Glass sealing cord - 10x4 mm	1500 mm	0040210040005
17	Refractory glass (320x438)	1 piece	0429515055306

4.3. Detail A2



Item	Name	Quantity	Number of goods
Detail A2			
A2.1.	Spring — set/black	1 piece	0434815005023
18	Sliding valve/black	1 piece	0434818005020
19	Controller	1 piece	0429415006625

5. Adjustment of the controller

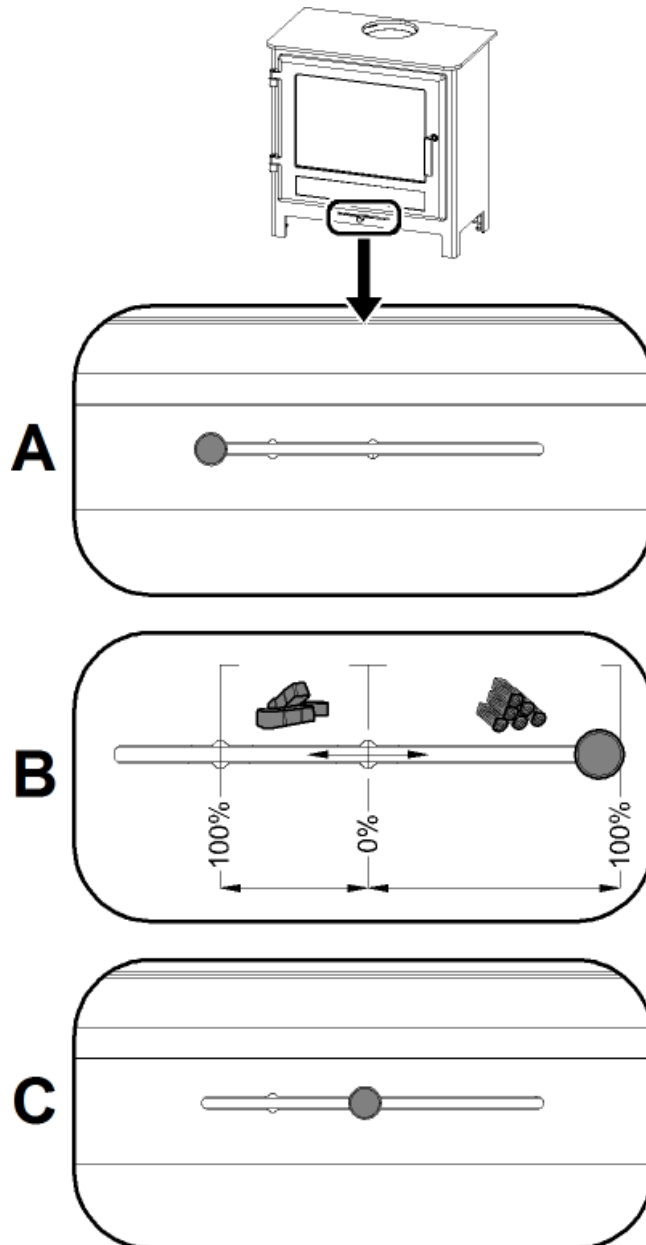
For the control of air inputs - the primary, the secondary one – there serves one controller only.

1. Controller in the position intended for lighting the stove (fig. A). All the air inputs are open (the primary and secondary ones).
2. Adjustment of the controller in the mode of heating with wood and coal briquettes (fig. B).
3. Controller in the position for closing the air inputs (fig. C). No input (primary, secondary) is opened. This position is employed only with the stove out of operation, after finishing the heating process.

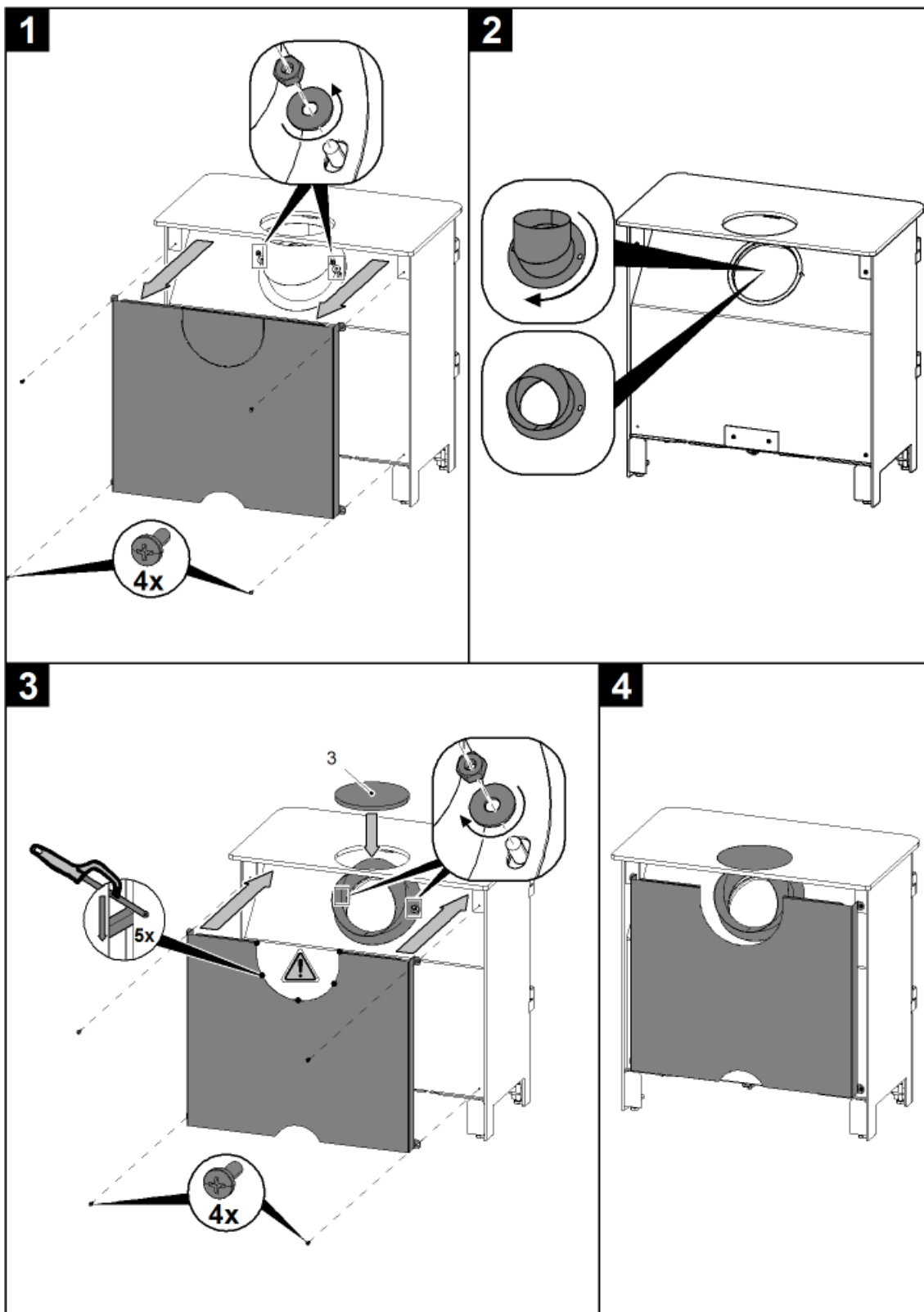


WARNING

During the heating process, the air inputs must not come to be closed (fig. C)! In extreme cases, an explosion can be produced in the stove, with subsequent chipping of the glass, scattering of embers in the room, and a fire as a consequence.



6. Change of the smoke neck

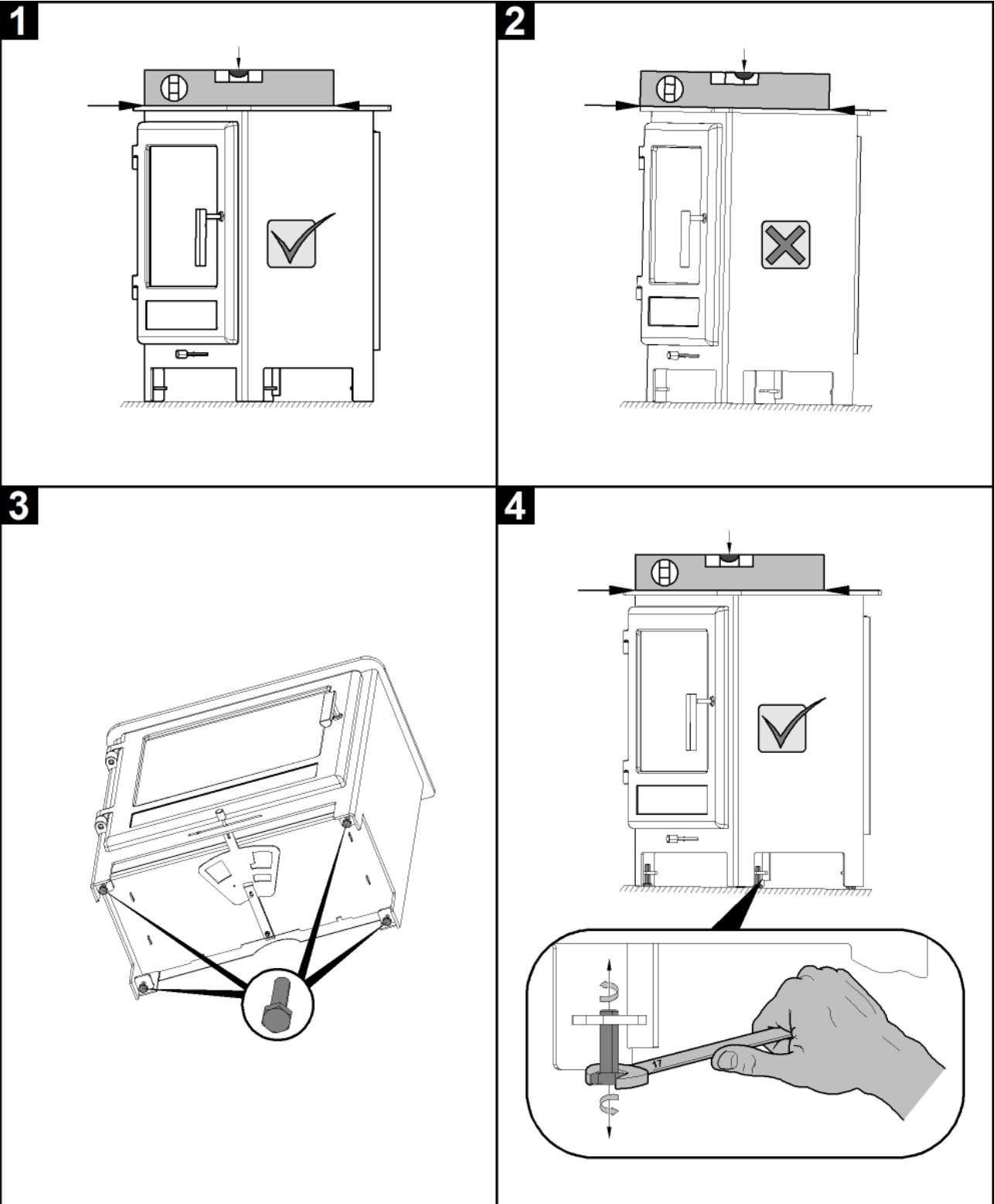


Change of the smoke neck

GB

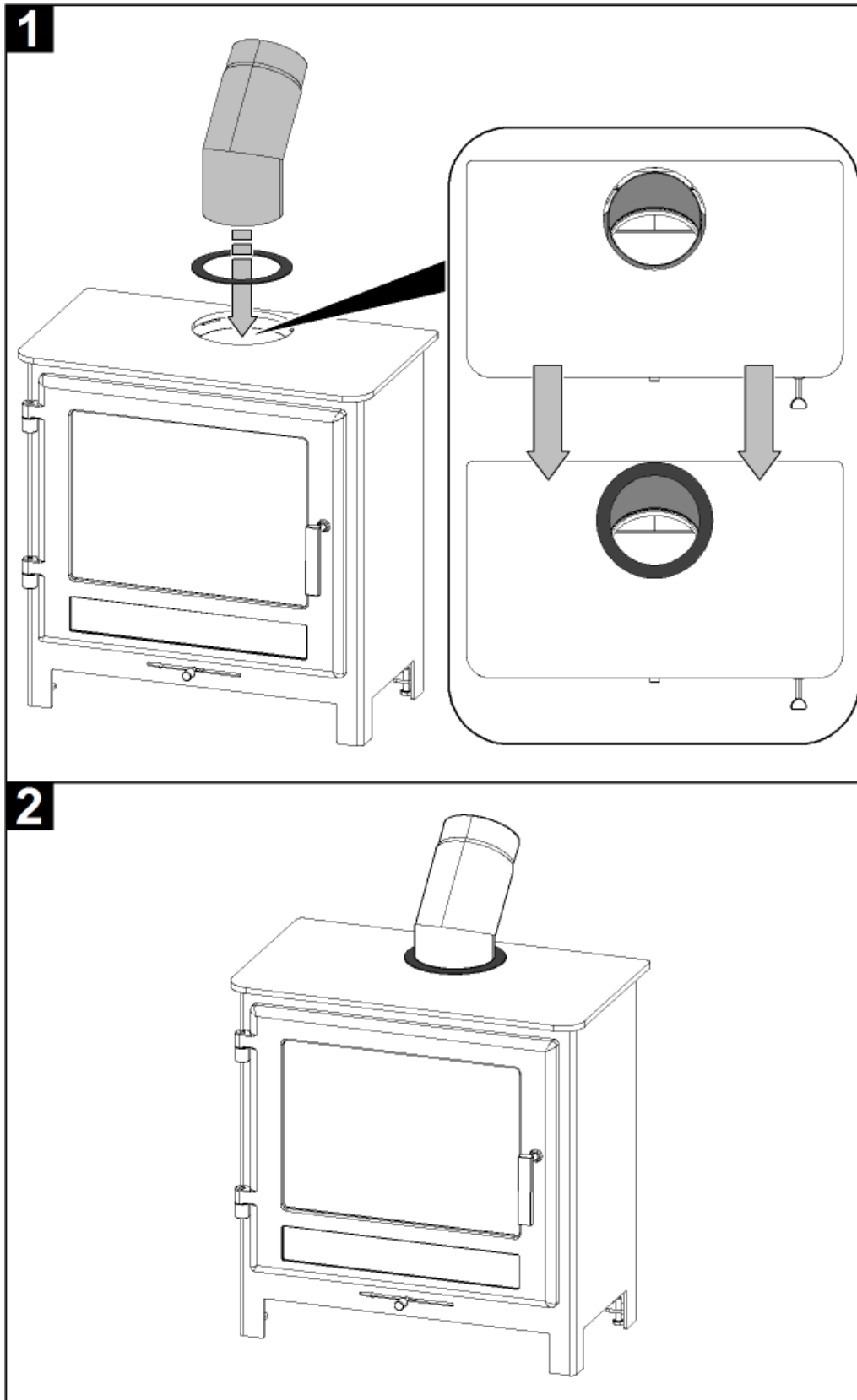
7. Installation of alignment screws

Installation of alignment screws



GB

8. Installation of cover ring

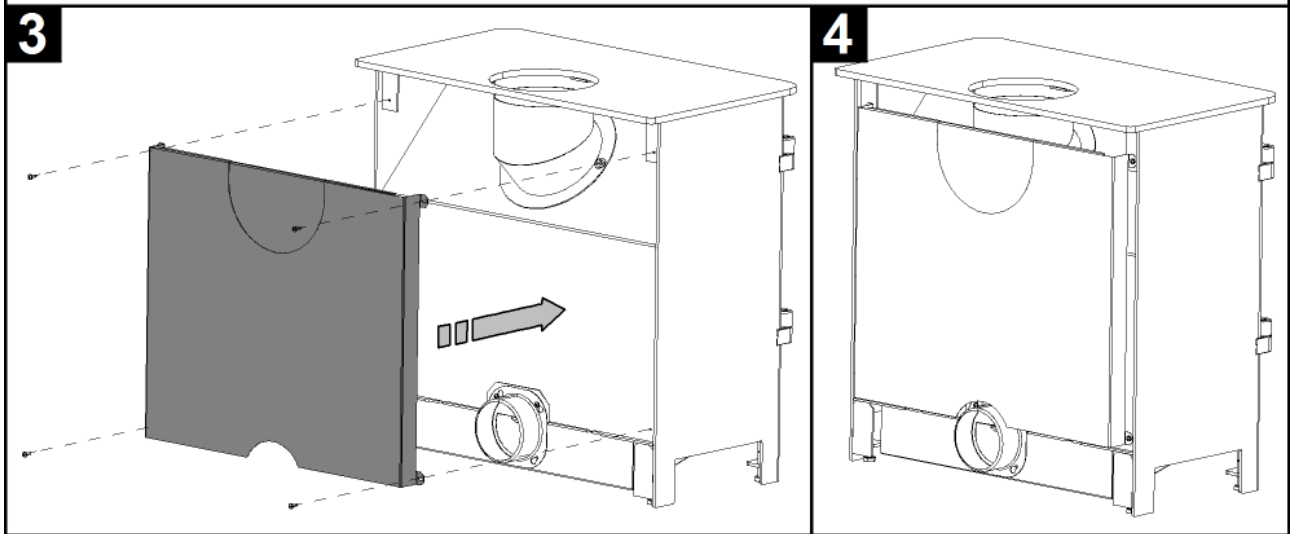
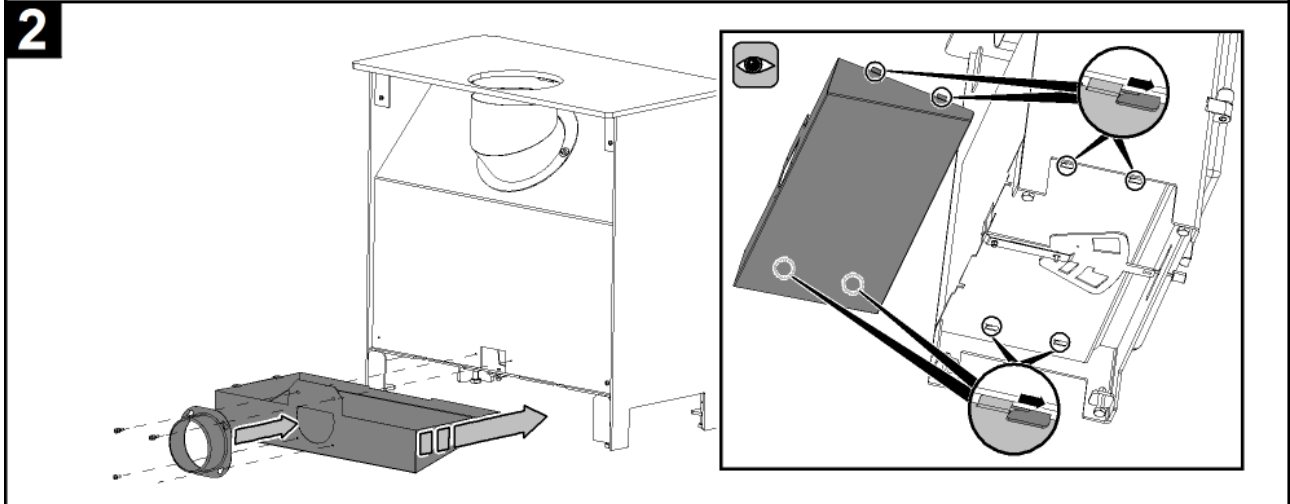
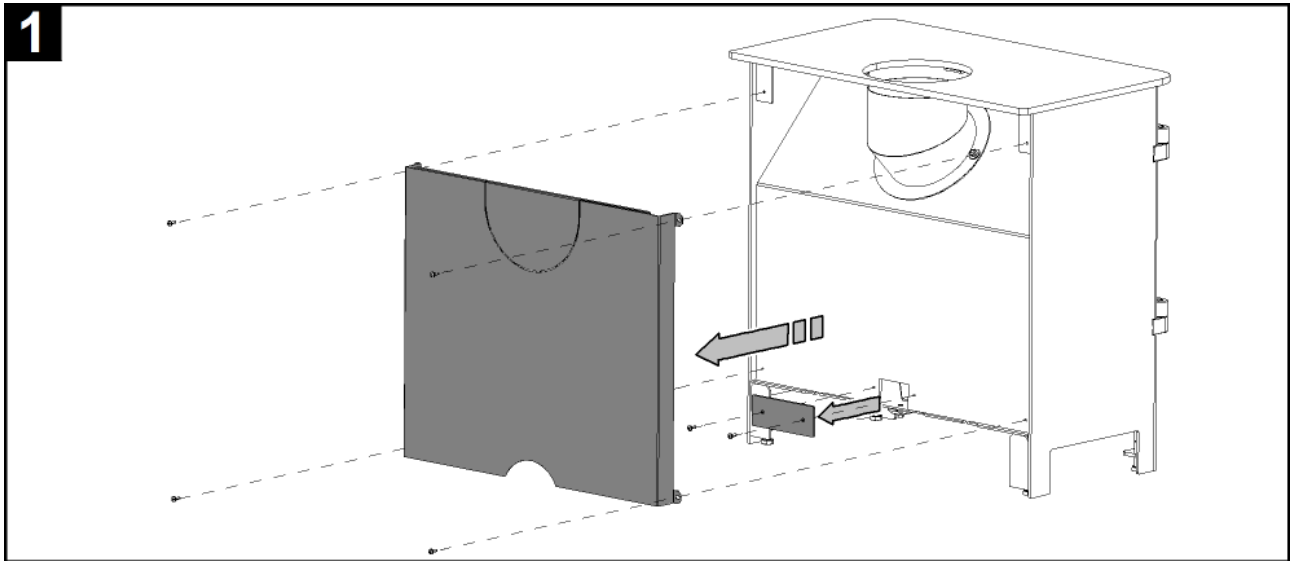


Installation of cover ring

GB

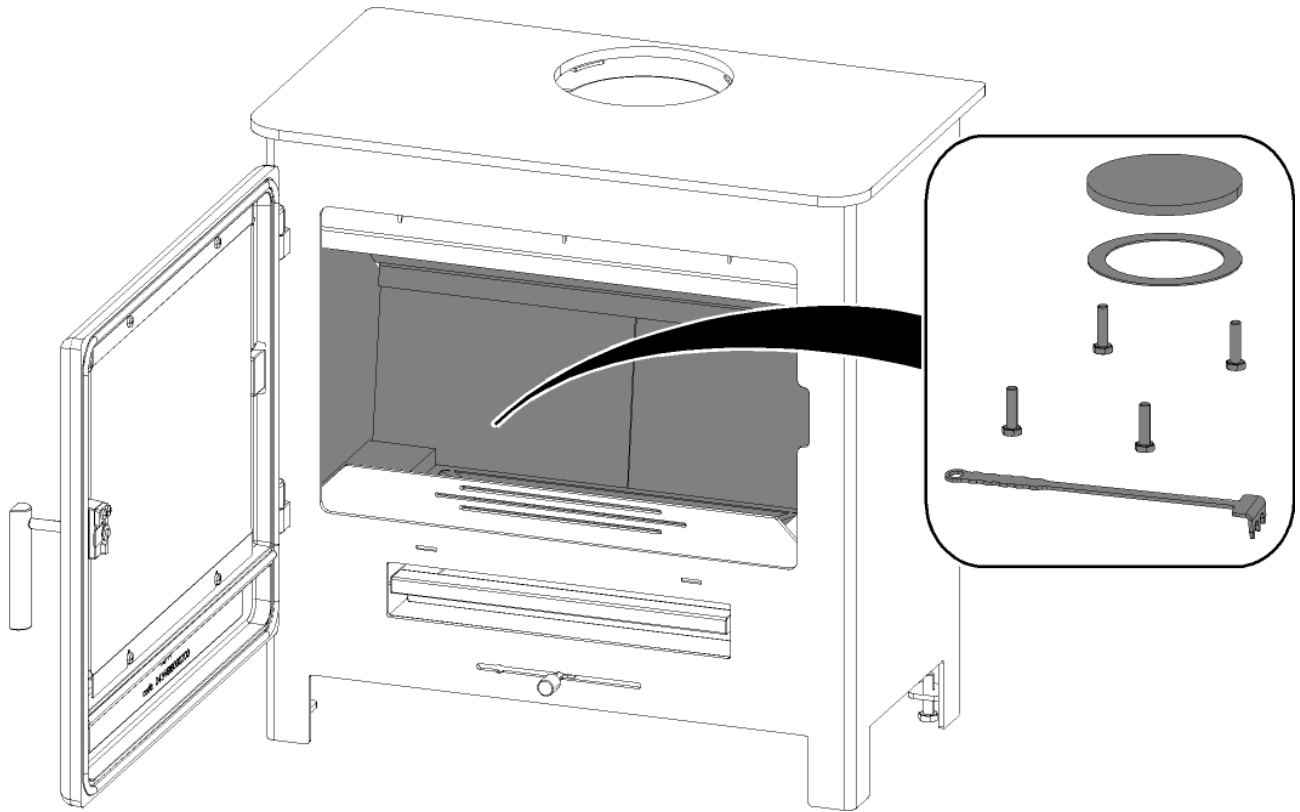
9. Instalation of air input modul

Instalation of air input modul



GB

10. Included in the scope of delivery



Included in the scope of delivery



